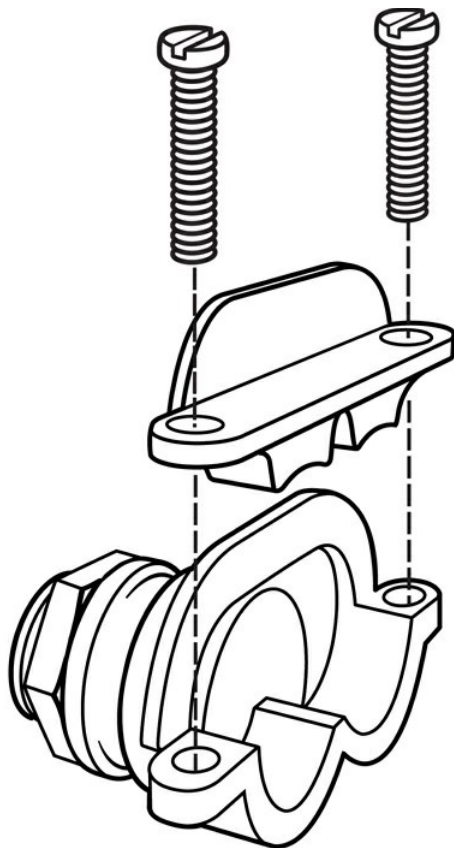


Direct Wire Low V Xenon Collection

Cable Connector Duplex Bx

10588SI (Silver Various)

Project Name: _____
Location: _____
Type: _____
Qty: _____
Comments: _____



Ordering Information

Product ID	10588SI
Finish	Silver Various
Collection	Direct Wire Low V Xenon Collection

Dimensions

Weight	3.00 LBS
--------	----------

Specifications

Material	Zinc
----------	------

Qualifications

Safety Rated	Dry
Warranty	www.kichler.com/warranty

Primary Lamping

Lamp Included	Not Included
---------------	--------------

Dimensions

Height	0.75"
Length	1.50"
Width	1.75"