

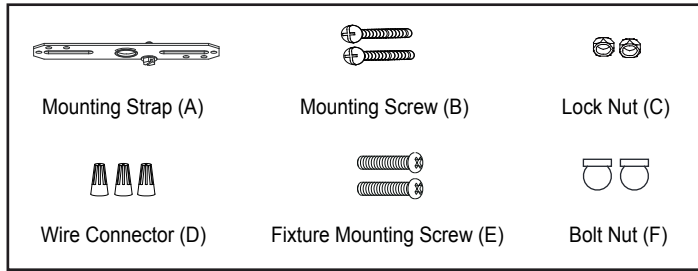
# ASSEMBLY AND INSTALLATION INSTRUCTIONS

C0256

**WARNING:** TO AVOID RISK OF ELECTRICAL SHOCK, BE SURE TO SHUT OFF POWER WHILE INSTALLING OR SERVICING THIS FIXTURE.

**NOTES:** 1. Before installing, consult local electrical codes for wiring and grounding requirements.  
2. READ AND SAVE THIS INSTRUCTION.

## Hardware Package (included):



## Installation Steps

Turn off the power at fuse or circuit box.

1. Thread two fixture mounting screws (E) through the mounting strap (A), then secure with two lock nuts (C). Adjust the length of the fixture mounting screws (E) if necessary.
2. Attach the mounting strap (A) to the outlet box by using two mounting screws (B).
3. Determine desired length and thread wires from the fixture through rods and canopy then thread rods to canopy and threaded pipe on the fixture.

4. Pull out the source wires from the outlet box.

Make wire connections using wire connectors (D) as follows:

---Connect the fixture black wire to house black wire and fixture white wire to house white wire using wire connectors (D) provided.

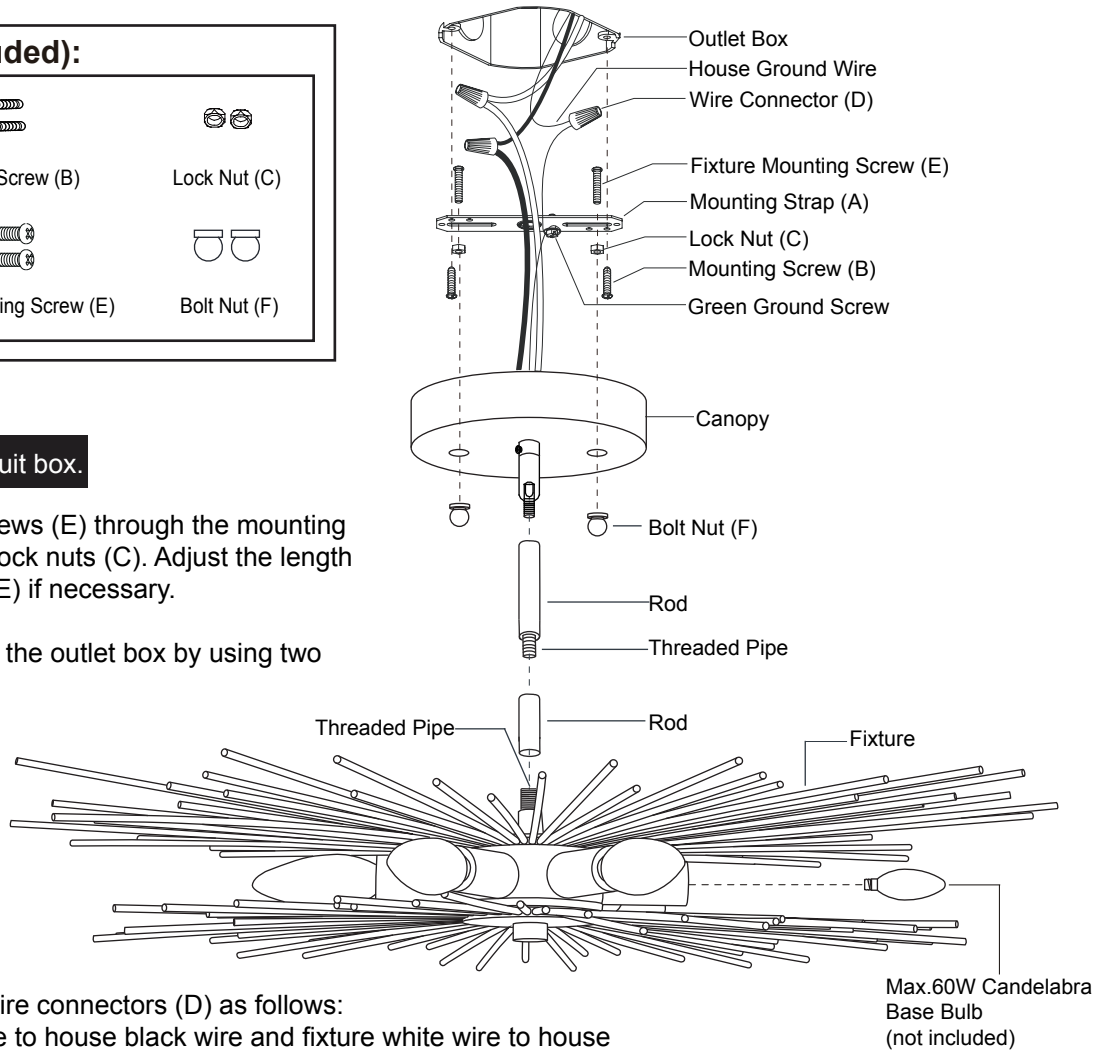
---Connect the copper wire on the light fixture to the mounting strap (A) by securing it with the green ground screw, then connect it to the house ground wire with wire connector (D).

Tuck all the wires into outlet box.

5. Attach the canopy to the mounting strap (A) by inserting the fixture mounting screws (E), then secure it with two bolt nuts (F).


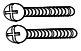






6. Install 6 x 60W Max. candelabra base bulbs (not included).  
See relamping label at socket area or packaging for maximum allowed wattage.

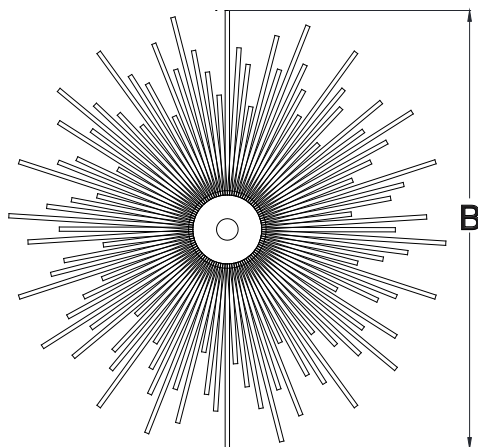
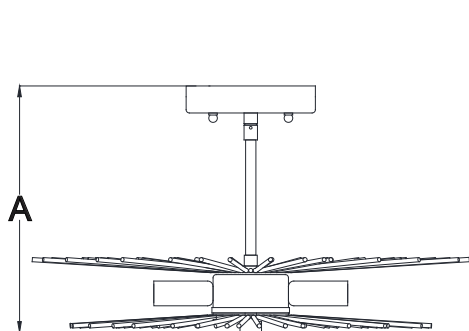
Turn on the power at fuse or circuit box.



The following parts are available for re-order if damaged or missing.

**Spare Parts List:**

 Mounting Strap (A)	 Mounting Screw (B)	 Lock Nut (C)	→ Mounting Hardware 6453MM (1 SET)	 3" Rod 3305RD	 6" Rod 3306RD
 Wire Connector (D)	 Fixture Mounting Screw (E)	 Bolt Nut (F)			



A: 9-1/2"~15-1/2"

B: 24"