

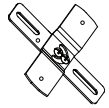
# ASSEMBLY AND INSTALLATION INSTRUCTIONS

T0470

**WARNING:** TO AVOID RISK OF ELECTRICAL SHOCK, BE SURE TO SHUT OFF POWER BEFORE INSTALLING OR SERVICING THIS FIXTURE.

**NOTES:** 1. Before installing, consult local electrical codes for wiring and grounding requirements.  
2. READ AND SAVE THESE INSTRUCTIONS.

## Hardware Package (included):



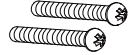
Cross Bar (A)



Mounting Screw (B)



Green Grounding Screw (C)



Fixture Mounting screw (D)



Lock Nut (E)



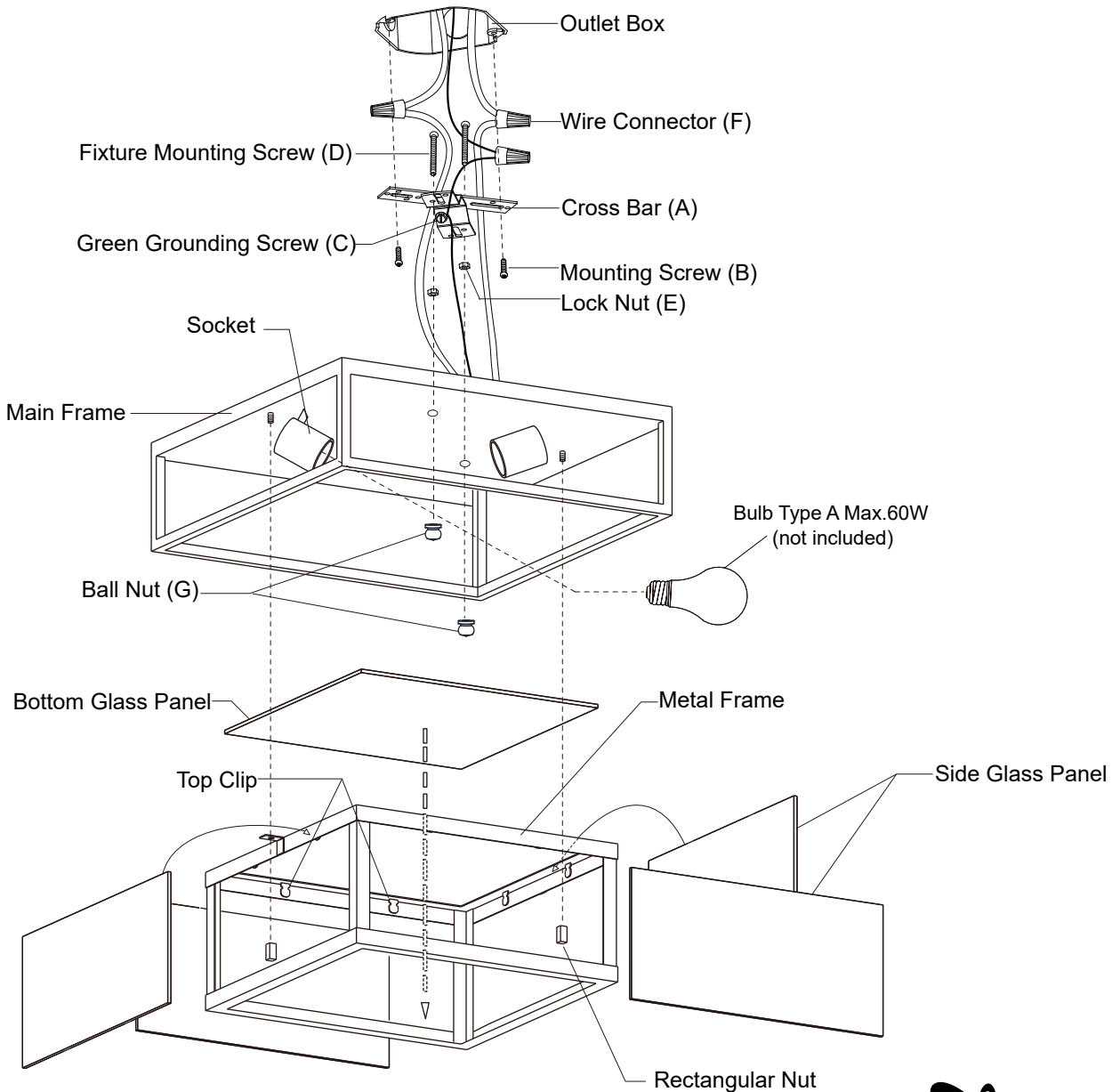
Wire Connector (F)



Ball Nut (G)

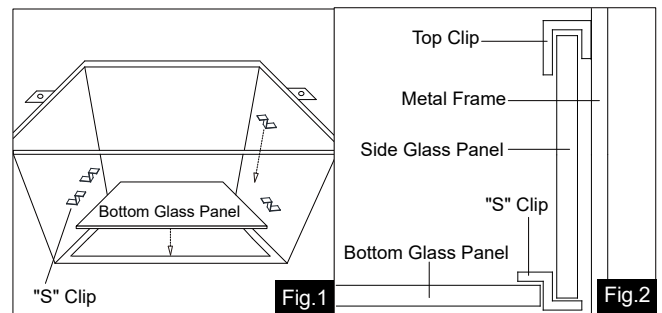


X 9  
"S" Clip (H)



**Turn off the power at fuse or circuit box**

1. Thread two fixture mounting screws (D) through the cross bar (A), then secure them with two lock nuts (E).
2. Attach the cross bar (A) to the outlet box by using two mounting screws (B).
3. Pull out the outlet wires and housing grounding wire from the outlet box. Make wire connections using the wire connectors (F):
  - The black wire from the fixture to the black wire from the power source.
  - The white wire from the fixture to the white wire from the power source.
  - Attach the fixture grounding wire to the cross bar (A) with the green grounding screw (C). Then connect it to the house grounding wire with a wire connector (F).
 Carefully put the wires back into the outlet box.
4. Attach the main frame to the cross bar (A) by inserting two fixture mounting screws (D), then secure it with the ball nuts (G).
5. Install bulbs (not included). See relamping label on socket area or packaging for maximum allowed wattage.
6. Place the bottom glass panel into the metal frame, and set two "S" clips (H) on each side of bottom glass and hold the bottom glass the four "S" clips (H) and hold the bottom glass panel by inserting the side glass panels inside the metal frame. Then press the top clips of the metal frame to secure the side glass panels. (See Fig.1 Fig.2)
7. Attach the metal frame to the main frame, then secure it with two rectangular nuts.

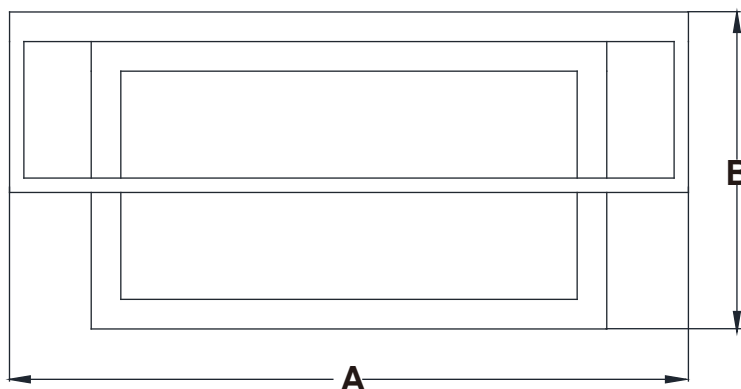


**Turn on the power at fuse or circuit box**

The following parts are available for re-order if damaged or missing.

**Spare Parts List:**

				Assembly Kit 5999MM (1SET)
Cross Bar (A)	Mounting Screw (B)	Green Grounding Screw (C)	Fixture Mounting screw (D)	
Lock Nut (E)	Wire Connector (F)	Ball Nut (G)	Clip (H) x 9	Glass X 1 10035RG



**A: 12"**  
**B: 5-1/4"**